

ENCLOSURES

NEMA 4X FIBERGLASS ENCLOSURES VJ, RVJ SERIES



DESCRIPTION

The Vynckier VJ and RVJ Series NEMA 4X Enclosures are constructed from hot compression-molded fiberglass-reinforced polyester. These enclosures offer excellent impact resistance, thermal insulation, and corrosion resistance. Smooth-surfaced, lightweight, nonconductive, and flame-retardant, they can be easily drilled. The gray color is molded in. The **VJ and RVJ Series** has captive stainless cover screws with fiberglass encapsulated heads. **VJ and RVJ Series** are UL listed, File #E192121. All types use a stainless steel piano hinge.

NEW!



VJ and RVJ Series



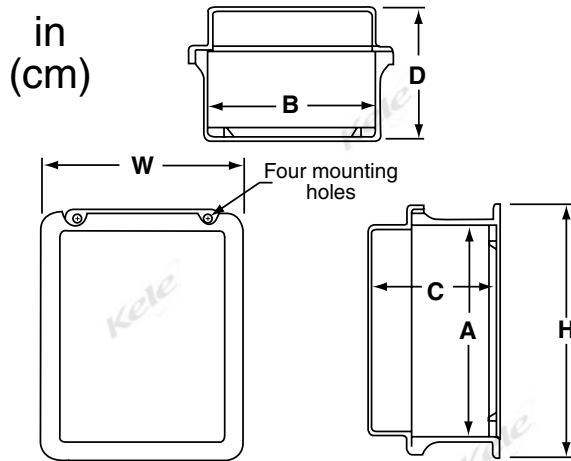
5

ENCLOSURES

FEATURES

- Useful outdoor life exceeds 25 years
- Over 20 various global approvals
- Temperature ranges from -58°F to 302°F

DIMENSIONS



VJ, RVJ Series

ORDERING INFORMATION

VJ, RVJ Series					
MODEL	ENCLOSURE DIMENSIONS in (cm)			ALUMINUM BACK PANEL	
	INSIDE A x B x C	OVERALL H x W x D	NO. OF SCREWS	MODEL	DIMENSIONS in (cm) H x W
VJ806HW	8 x 6 x 4.6 (20.3 x 15.2 x 11.8)	9.3 x 7.3 x 4.9 (23.6 x 18.6 x 12.5)	2	MP806A	6.75 x 4.88 (17.1 x 12.4)
RVJ1008HW	10 x 8 x 6.7 (25.4 x 20.3 x 16.9)	11.3 x 9.3 x 7 (28.7 x 23.6 x 17.8)	2	MP1008A	8.75 x 6.88 (22.2 x 17.5)
RVJ1210HW	12 x 10 x 6.8 (30.5 x 25.4 x 17.4)	13.3 x 11.3 x 7.1 (33.8 x 28.7 x 18.1)	2	MP1210A	10.5 x 8.88 (26.7 x 22.6)
RVJ1412HW	14 x 12 x 8 (35.6 x 30.5 x 20.2)	15.3 x 13.3 x 8.3 (38.9 x 33.8 x 21.0)	2	MP1412A	12.75 x 10.88 (32.4 x 27.6)
RVJ1614HW	16 x 14 x 8 (40.6 x 35.6 x 20.2)	17.3 x 15.3 x 8.3 (44.0 x 38.9 x 20.9)	2	MP1614A	14.75 x 12.88 (37.5 x 32.7)
RVJ1816HW	18 x 16 x 10.8 (45.7 x 40.6 x 27.5)	19.3 x 17.3 x 11.1 (49.0 x 44.0 x 28.1)	2	MP1816A	16.75 x 14.88 (42.6 x 37.8)

NEW!